



SPECIFICATION

MODEL CX-120A

IMPEDANCE/50 Ohms.

VOLTAGE

ACTUATION DATA :

VOLTAGE :

Pull in 10Vdc - 14Vdc (12Vdc Nominal)

Drop out 3Vdc Min.

Current 61mA @12Vdc 20°C

Coil resistance ... 196 Ohms 10% 20°C

SWITCHING TIME

SWITCHING TIME :

Pull in 20ms typical.

Drop out 15ms typical.

LIFE EXPECTANCY ... 1,000,000. Operation min.

MECHANICAL

MECAHANICAL :

Contact arrangement SPDT

Operational temperature - 25°C to + 50°C (Max Temperature Rise20c)

Weight Approx 70gs.

Mounting Two screws

Cable connections Directly connect cables.

ELECTRICAL CHARACTERISTICS

ELECTRICAL CHARACTERISTICS :

| Frequency MHz | VSWR Max | Isolation -dB(min) | Ins.Loss -dB(max) | IN PUT |
|------------------|-------------|-----------------------|----------------------|---------------|
| | | | | RF Power W |
| 50 | 1.05 | 60 | 0.05 | 250 |
| 150 | 1.1 | 50 | 0.1 | 200 |
| 500 | 1.3 | 40 | 0.2 | 150 |
| 1000 | 1.4 | 29 | 0.25 | 150 |

COIL CHARACTERISTICS

COIL CHARACTERISTICS :

Nominal Voltage

12Vdc

Voltage Range

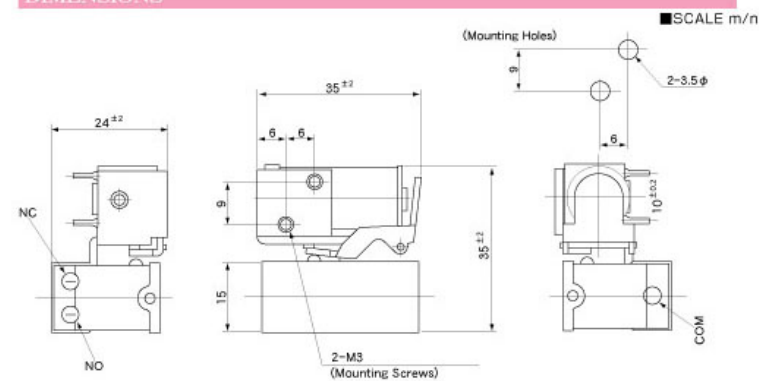
10Vdc - 14Vdc

Coil Resistance Ohms

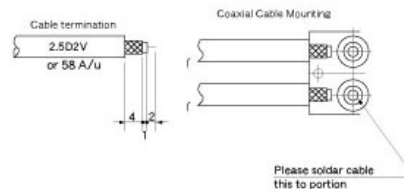
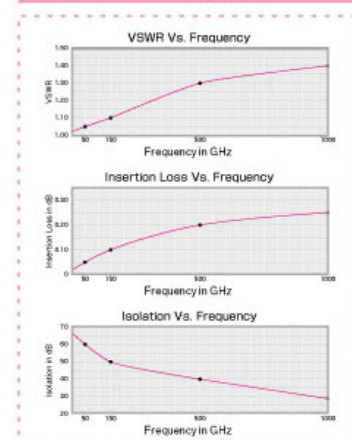
196 ±10% 20

Note : Other voltages are also available at option.

DIMENSIONS



Typical Operating Curves



Schematic

